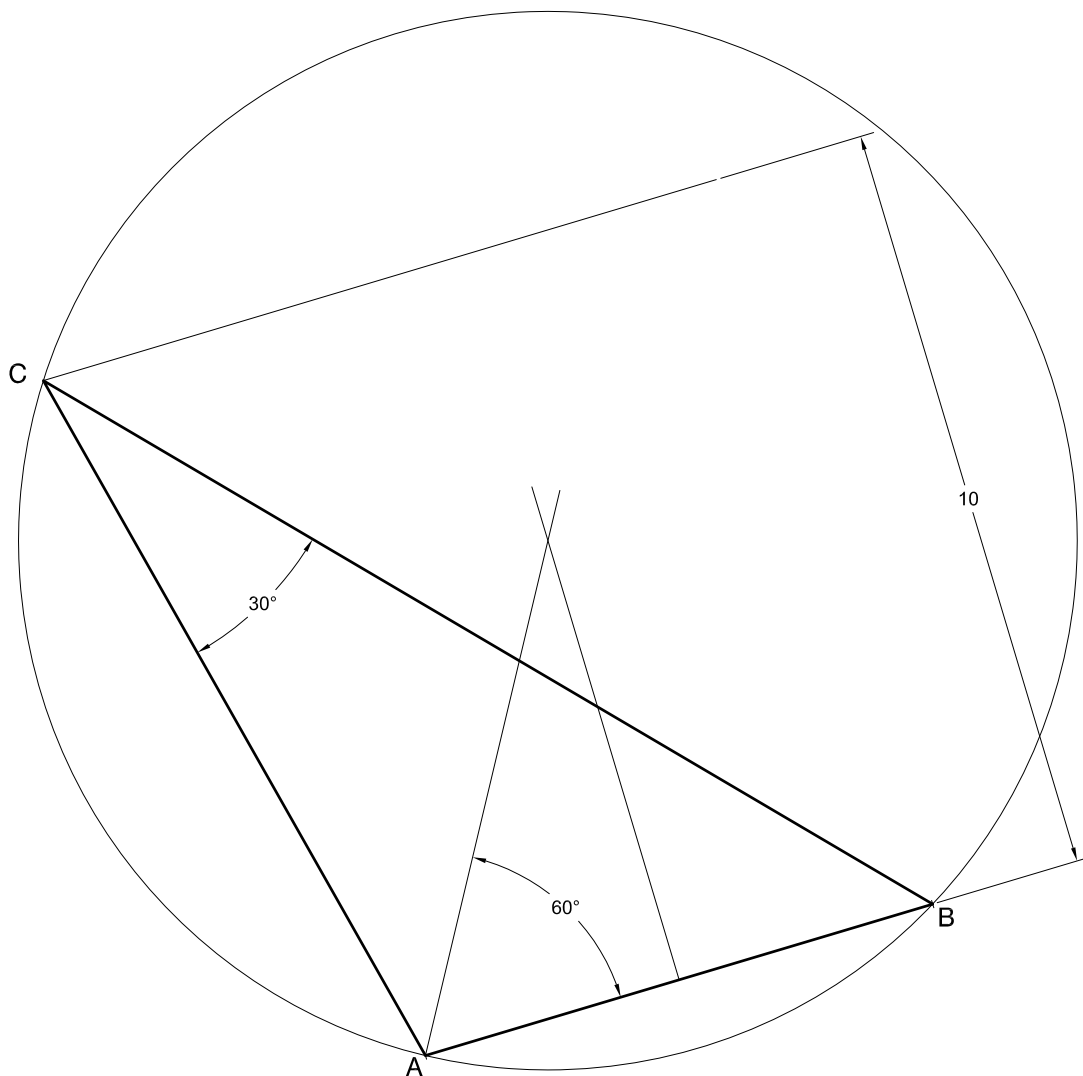
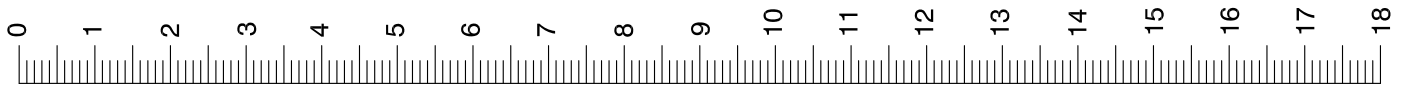




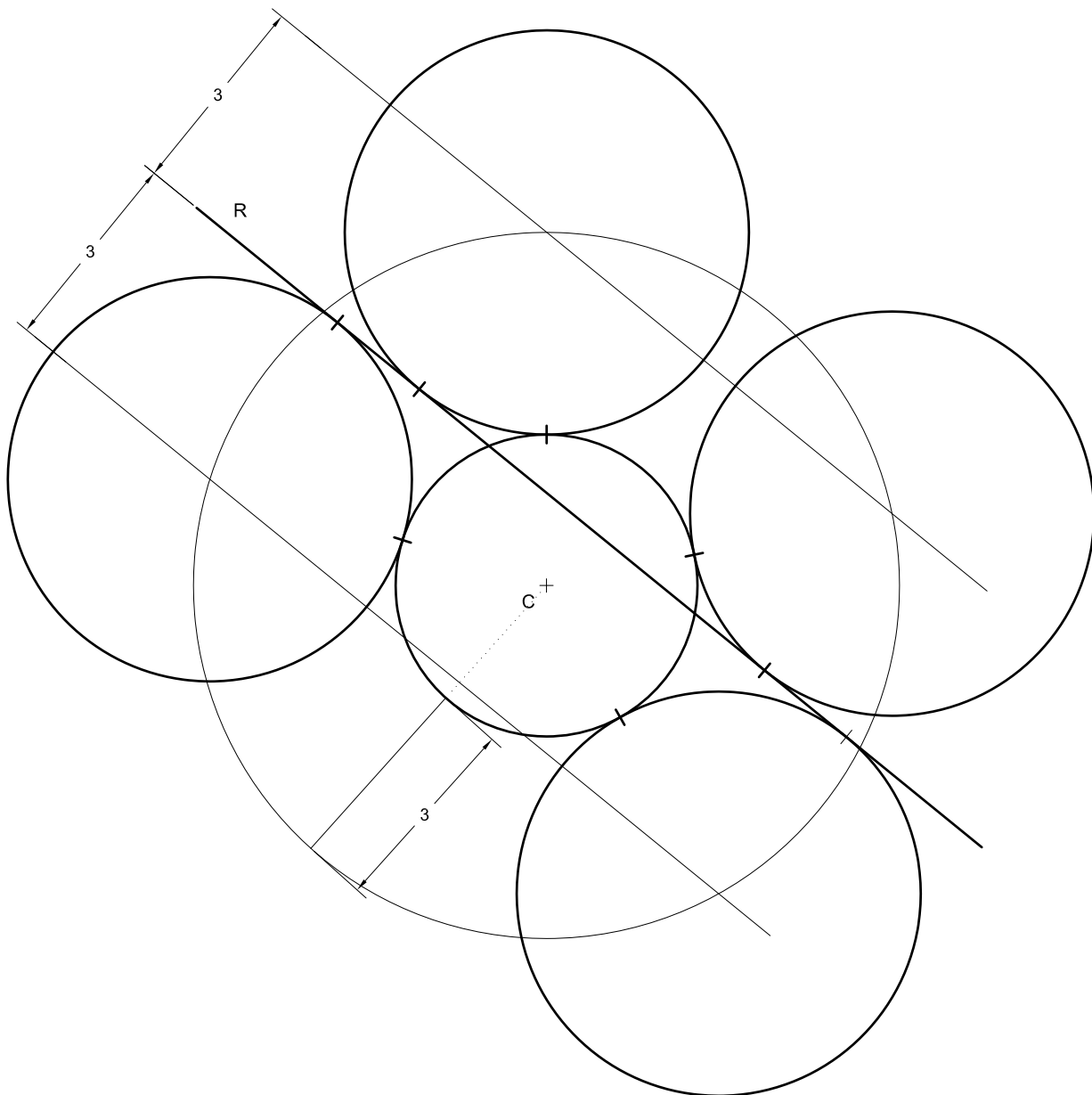
(3-1A)



Angle $ACB = 30^\circ$

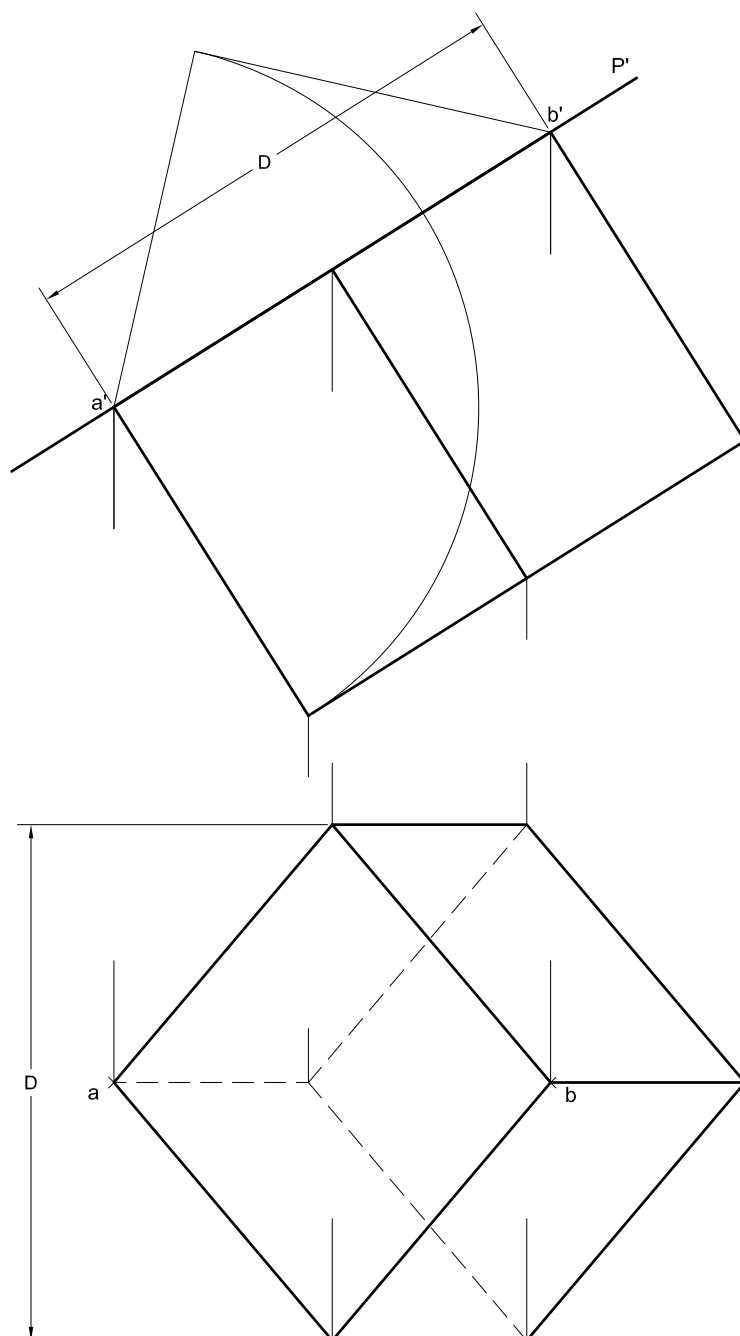


(3-1B)



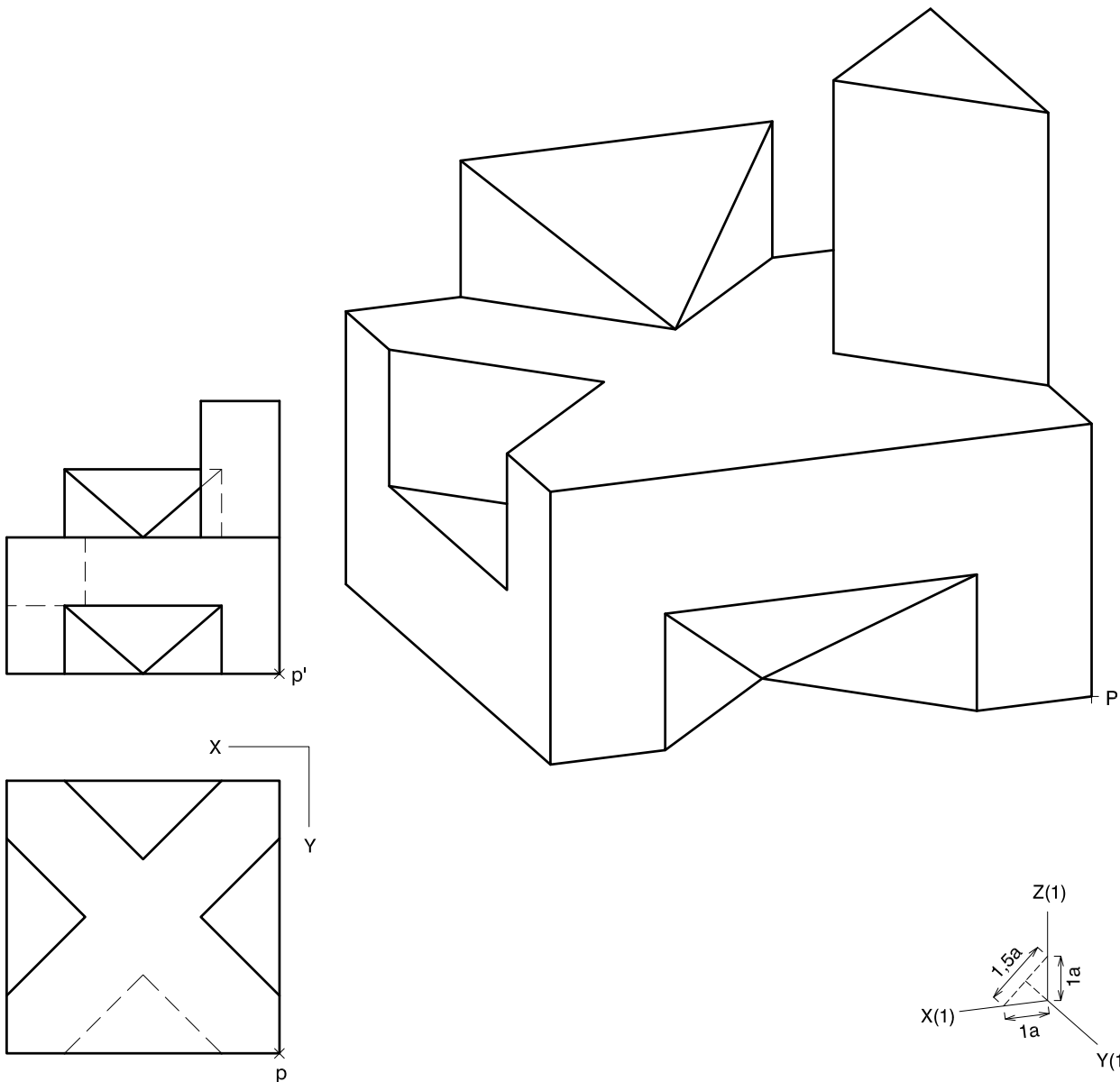


(3-2A)





(3-3A)





(3-3B)

